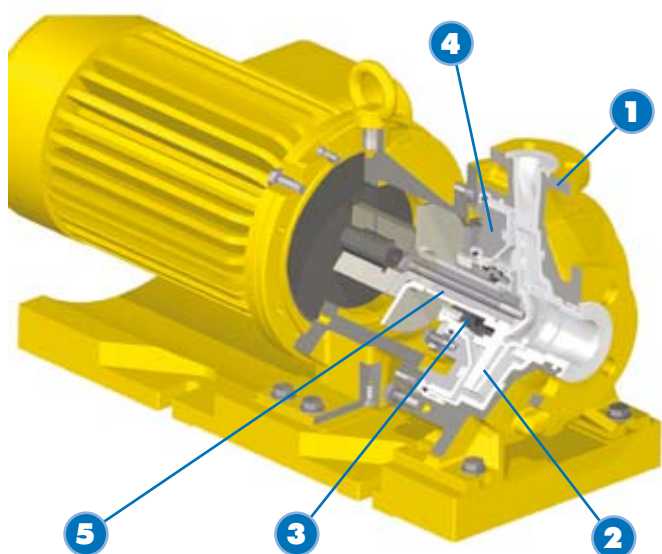




- **Close-coupled single-stage process pumps complying with the ATEX Directive, category II2G.**
Designed for installation in confined spaces and ideal for any industrial sector where transfer of corrosive, toxic, sterile, radioactive and flammable liquids containing suspended solids and/or crystals is necessary.
- **Improved chemical resistance as a result of injection moulding of thermoplastic resins such as PP and PFA using proprietary ILS (Integral Lining System) technology.**
- **Exceptional mechanical strength provided by the ductile-cast-iron pump casing.**
- **Direct connection to the motor provides savings.**
- **Inlet and outlet port dimensions meet the requirements of standard EN 22858.**
- **Mechanical strength designed to process high-pressure, -density and -temperature liquids (120°C in PFA).**
- **Extensive interchangeability of components.**
- **Can be fitted with various types of single and double mechanical seals of the top domestic and international brands along with the standard CDR single seal with opposing faces.**



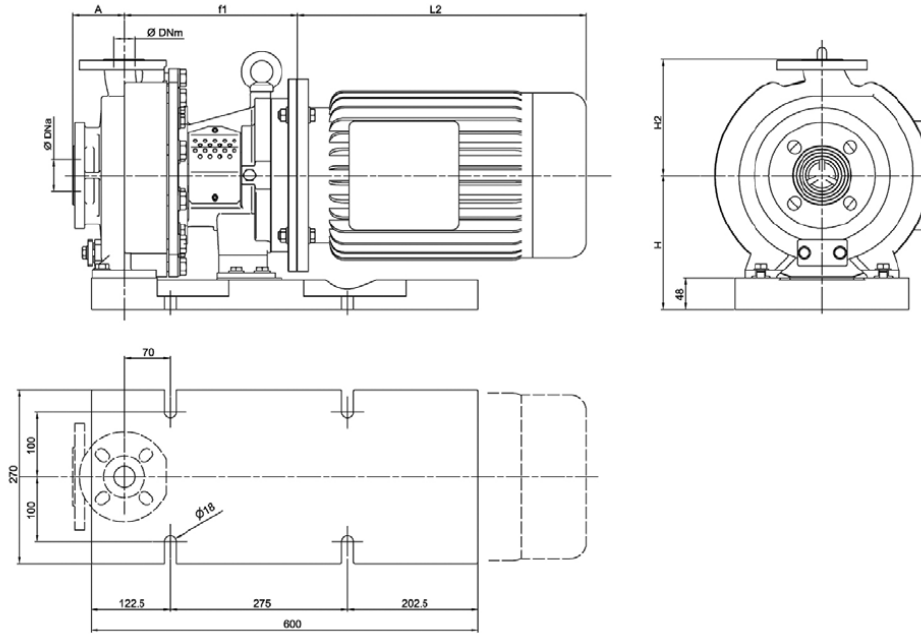
- 1. Pump casing
- 2. Impeller unit
- 3. Mechanical seal
- 4. Seal support
- 5. Shaft

Technical specifications

Materials	PP/PFA
Flow rate	max 80 m ³ /h
Head	max 65 m
Electric motors	from 1.1 kW to 18.5 kW
Temperature range	from -15 °C to +120 °C (PFA)
Allowable pressure rating	max 20 bar

Dimensions

UCN-BL series



Type of pump	Dna	DNm	A	H	H2
	Suction flange	Discharge flange			
	Through holes for: UNI 2223/29 PN16 ANSI B16,5 150 RF	Through holes for: UNI 2223/29 PN16 ANSI B16,5 150 RF			
UCN-BL 40-25-160	40	25	80	180	160
UCN-BL 50-32-160	50	32	80	180	160
UCN-BL 50-32-200	50	32	80	208	180
UCN-BL 65-40-160	65	40	80	180	160
UCN-BL 65-40-200	65	40	100	208	180
UCN-BL 80-50-125	80	50	100	180*	160
UCN-BL 80-50-200	80	50	100	208	200

*For UCN-BL 80-50-125 with motor size 160 H=208

Impeller types available



Standard closed impeller



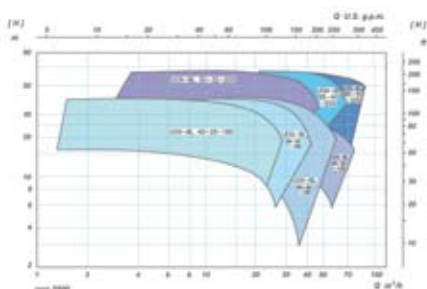
Open vortex impeller



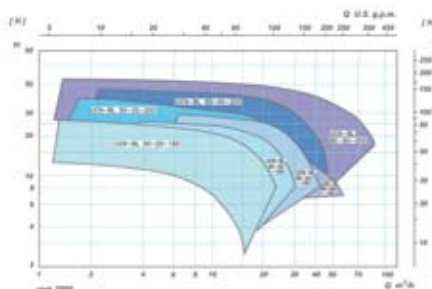
Radial impeller

Performance

Standard closed impeller



Open vortex impeller



Radial impeller

