

# ACTIVE PULSATION DAMPENERS

2020 | 1



# DT series

## Active pulsation dampeners

The active pulsation dampener is the most efficient way to remove pressure variations on the discharge of the pump.

The Tapflo pulsation dampener works actively with compressed air and a diaphragm, automatically setting the correct pressure to minimise the pulsations.



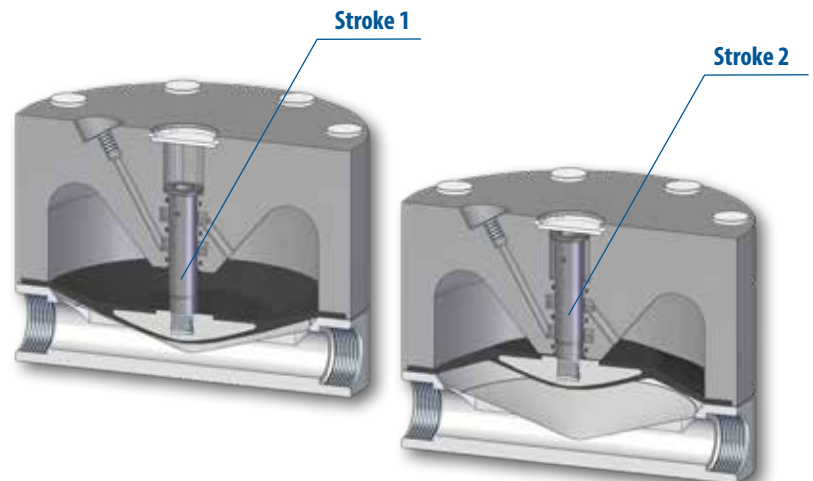
### Explosion proof models are available

Certified according to directive 2014/34/EC (ATEX), group II, cat 2, for use in EX-zone 1.

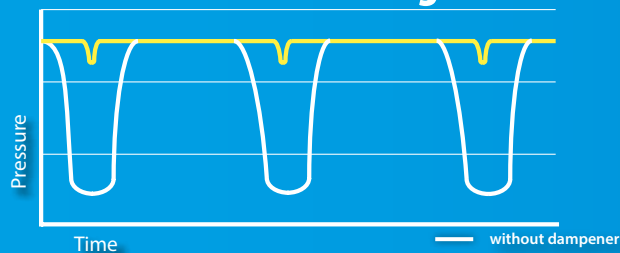
Contact us for information.

### How it works

When the pressure in the piping system decreases, due to the pulsating nature of the pump operation, the pulsation dampener supplies extra pressure to the discharge between the pump strokes, therefore supplying a steady flow of pumped medium. This pumping action created by the dampener, decreases the pressure variations and pulsations.



### ■ Features when using the DT series pulsation dampener



#### The dampening effect

The pressure variation in a discharge line with and without a pulsation dampener.

- Minimized vibrations and water hammer effects
- Protection of all kinds of instruments in your pipe system
- Optimized pump performance and reduced maintenance costs

### Options & accessories



■ Pulsation dampener with stand



■ Pulsation dampener with pump



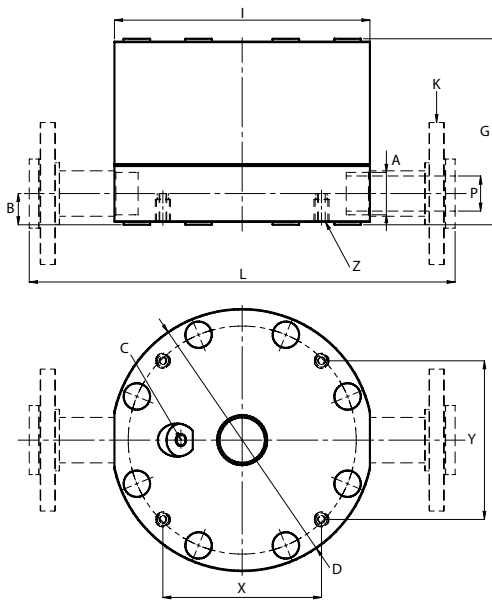
■ Pulsation dampener with guardian



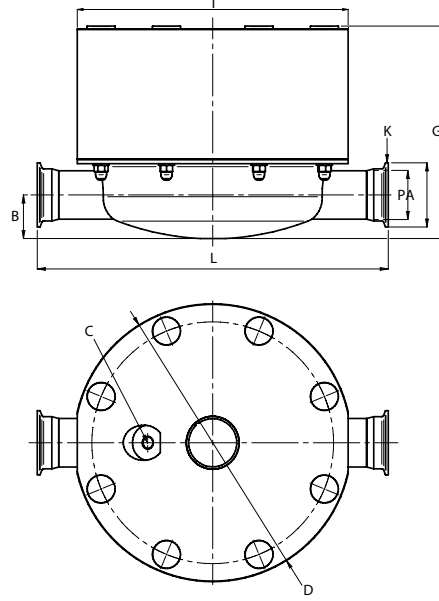
■ TK built-on dampener

# DT series - Active pulsation dampeners - dimensions

PE, PTFE & aluminium dampeners



Stainless steel and sanitary dampener



Dimensions in mm (where other is not indicated) | Dimensions in inch (where other is not indicated)

Dimension	Dampener size																			
	9/20	25	30	50	70	80	100	120	125	200	220	225	400	420	425	800	820 A	820 S	825	
A	BSP	G 3/8"	G 1/2"	G 3/8"	G 1/2"	G 3/4"		G 1"		G 1 1/2"		G 2"		-		G 3"		-		
	DIN Flange	95	-	95	95	105	-	115	115	-	150	150	-	165	165	-	202	-	202	-
	ANSI Flange	-	-	50,5	-	-	50,5	-	-	-	50,5	-	-	64	-	-	91	-	-	-
	SMS3017/ISO2037	-	-	Rd 44x1/6"	-	-	Rd 52 x 1/6"	-	-	Rd 65 x 1/6"	-	-	Rd 78 x 1/6"	-	-	Rd 95 x 1/6"	-	-	-	Rd 110 x 1/4"
B		15/33 <sup>1</sup>	15	10,6	17/32,4 <sup>1</sup>	16,5	16,5	25,5/45 <sup>1</sup>	25	16,5	33/50 <sup>1</sup>	41	41	41/61	41	46	92	92	19,3	19,3
		0,59/1,3 <sup>1</sup>	0,59	0,42	0,67/1,27 <sup>1</sup>	0,65	0,65	1/1,77 <sup>1</sup>	0,98	0,65	1,29/1,97 <sup>1</sup>	1,61	1,61	1,61/2,40 <sup>1</sup>	1,61	1,81	3,62	3,62	0,76	0,76
C		G 1/4"		G 1/4"		G 1/4"		G 1/4"		G 1/4"		G 1/4"		G 1/4"		G 1/4"		G 1/4"		
		110		158		208		277		360		470		470		18,50		18,50		
D		4,33		6,22		8,19		10,91		14,17		18,50		18,50		470		470		
		85 / 103 <sup>1</sup>	85	79	109/132 <sup>1</sup>	117/109 <sup>2</sup>	116,5	148/161,5 <sup>1</sup>	135/144,5 <sup>2</sup>	135	200/217,5 <sup>1</sup>	213/200,5 <sup>2</sup>	209	244/261 <sup>1</sup>	256/243,5 <sup>2</sup>	255	394	392	330	330
G		3,35 / 4,06 <sup>1</sup>	3,35	3,11	4,29/5,20 <sup>1</sup>	4,61/4,29 <sup>2</sup>	4,59	5,83/6,36 <sup>1</sup>	5,31/5,69 <sup>2</sup>	5,31	7,87/8,56 <sup>1</sup>	8,39/7,89 <sup>2</sup>	8,23	9,61/10,28 <sup>1</sup>	10,08/9,59 <sup>2</sup>	10,04	15,51	15,43	12,99	12,99
		107	4,21	-	155	6,10	-	203	7,99	-	270	10,63	-	352	13,86	-	470	450	470	470
K	BSP	G 3/8"	G 1/2"	-	G 1/2"	G 3/4"	-	G 1"	G 1"	-	G 1 1/2"	G 1 1/2"	-	G 2"	G 2"	-	G 3"	-	-	
	DIN Flange <sup>4</sup>	DN15	-	DN 15	DN15	DN 20	-	DN25	DN 25	-	DN40	DN 40	-	DN50	DN 50	-	DN80	-	DN80	
	ANSI Flange <sup>4</sup>	1/2"	-	1/2"	1/2"	1/2"	-	1"	1"	-	1 1/2"	1 1/2"	-	2"	2"	-	3"	-	3"	
	SMS3017/ISO2037 <sup>3</sup>	-	-	DN 25	-	-	DN 25	-	-	DN 38	-	-	DN 50	-	-	DN 70	-	-	-	
L	DIN & ANSI Flange	235	-	-	285	-	-	375	-	450	-	-	550	-	-	700	-	700	-	
		9,25	-	-	11,22	-	-	14,76	-	17,72	-	-	21,65	-	-	27,56	-	27,56	-	
P	BSP	107	-	-	155	-	-	203	-	270	-	-	352	-	-	450	-	450	-	
		4,21	-	-	6,10	-	-	7,99	-	10,63	-	-	13,86	-	-	17,72	-	17,72	-	
X	Other Connections <sup>3</sup>	-	180	-	-	210	-	-	300	-	-	350	-	-	450	-	-	-	600	
		-	7,09	-	-	8,27	-	-	11,81	-	-	13,78	-	-	17,72	-	-	-	23,62	
	DIN Flange <sup>4</sup>	14	-	17,3	14	22,9	-	26	29,7	-	45,4	44,3	-	51,4	56,3	-	80	-	80	
		0,55	-	0,68	0,55	0,90	-	1,02	1,17	-	1,79	1,74	-	2,02	2,22	-	3,15	-	3,15	
Y	ANSI Flange <sup>4</sup>	14	-	17,3	14	22,7	-	26	30,1	-	45,4	42,8	-	51,4	54,8	-	80	-	80	
		0,55	-	0,68	0,55	0,89	-	1,02	1,19	-	1,79	1,69	-	2,02	2,16	-	3,15	-	3,15	
	SMS3017/ISO2037 <sup>3</sup>	-	-	22,6	-	-	22,6	-	-	35,6	-	-	49	-	-	66,8	-	-	-	
		-	-	0,89	-	-	0,89	-	-	1,40	-	-	1,93	-	-	2,63	-	-	-	
Z	DIN 118513 <sup>3</sup>	-	-	20	-	26	-	-	38	-	-	50	-	-	66	-	-	-	81	
		-	-	0,79	-	1,02	-	-	1,50	-	-	1,97	-	-	2,60	-	-	-	3,19	
X		36	-	-	90,3	-	-	113,8	-	167,6	-	-	226,3	-	-	297	-	-	-	
		1,42	-	-	3,56	-	-	4,48	-	6,60	-	-	8,91	-	-	11,69	-	-	-	
Y		86,8	-	-	100,3	-	-	135,6	-	167,6	-	-	226,3	-	-	297	-	-	-	
		3,42	-	-	3,95	-	-	5,34	-	6,60	-	-	8,91	-	-	11,69	-	-	-	
Z		M4x20	-	-	M4x20	-	-	M8x22 M8x30 PE	M8x25	-	M8x22 PTFE M8x22 PE	M8x25	-	M8x22 PTFE M8x30 PE	M8x25	-	M8x22 PTFE	M8x25	-	
		-	-	-	-	-	-	-	-	-	-	-	-	-	-	-	-	-	-	

1 = PE / PTFE  
2 = SS / ALU

3 = SMS3017/ISO2037, DIN 11851, SMS1145, BS 4825 (RJT)  
4 = Only plastic and metal pumps

5 = Only sanitary pumps  
\* = Dimensions for other connections in IOM Manual

## Dampener code

The details, specification, size and materials of the major components.

DT - Tapflo active pulsation dampener

Basic options:  
X = ATEX approved, group II, cat 2

For Tapflo pump size (l/min)

Material of wetted dampener housing:

A = aluminium  
P = polyethylene

S = stainless steel AISI 316L  
T = PTFE

Material of diaphragm:

E = EPDM  
B = PTFE 1705B (solvents)  
W = White (food grade) EPDM  
N = NBR (nitrile rubber)  
T = PTFE  
Z = PTFE with white back

DT

X

50

P

T

## Sweden

Filaregatan 4 | S-442 34 Kungälv

Tel: +46 303 63390

Fax: +46 303 19916

E-mail addresses:

Commercial questions: [sales@tapflo.com](mailto:sales@tapflo.com)

Orders: [order@tapflo.com](mailto:order@tapflo.com)

Tech support: [support@tapflo.com](mailto:support@tapflo.com)

## Tapflo products and services are available in 75 countries on 6 continents.

Tapflo is represented worldwide by own Tapflo Group Companies and carefully selected distributors assuring highest Tapflo service quality for our customers' convenience.

AUSTRALIA | AUSTRIA | AZERBAIJAN | BAHRAIN | BELARUS | BELGIUM | BOSNIA | BRAZIL | BULGARIA | CANADA | CHILE | CHINA | COLOMBIA | CROATIA | CZECH REPUBLIC | DENMARK | ECUADOR | EGYPT | ESTONIA | FINLAND | FRANCE | GREECE | GEORGIA | GERMANY | HONG-KONG | HUNGARY | ICELAND | INDIA | INDONESIA | IRAN | IRELAND | ISRAEL | ITALY | JAPAN | JORDAN | KAZAKHSTAN | KUWAIT | LATVIA | LIBYA | LITHUANIA | MACEDONIA | MALAYSIA | MEXICO | MONTENEGRO | MOROCCO | NETHERLANDS | NEW ZEALAND | NORWAY | POLAND | PORTUGAL | PHILIPPINES | QATAR | ROMANIA | RUSSIA | SAUDI ARABIA | SERBIA | SINGAPORE | SLOVAKIA | SLOVENIA | SOUTH AFRICA | SOUTH KOREA | SPAIN | SUDAN | SWEDEN | SWITZERLAND | SYRIA | TAIWAN | THAILAND | TURKEY | UKRAINE | UNITED ARAB EMIRATES | UNITED KINGDOM | USA | UZBEKISTAN | VIETNAM

## Tapflo Group Companies

### Australia

Tapflo Oceania (Pty)  
Tel: +61 1800 303 633  
[sales@tapflo.com.au](mailto:sales@tapflo.com.au)

### Austria

Tapflo Austria  
Tel: +43 732 27292910  
[sales@tapflo.at](mailto:sales@tapflo.at)

### Baltic States

Tapflo Latvia  
Tel: +371 67472205  
[sales@tapflo.lv](mailto:sales@tapflo.lv)

### Belarus

Tapflo Belarus  
Tel: +375 17 3934609  
[sales@tapflo.by](mailto:sales@tapflo.by)

### Belgium

Tapflo Benelux B.V.  
Tel: +31 (0)85 00 743 00  
[info@tapflo.nl](mailto:info@tapflo.nl)

### Bulgaria

Tapflo EOOD  
Tel: +359 (0)2 974 18 54  
[office@tapflo.bg](mailto:office@tapflo.bg)

### Canada

Tapflo Canada  
Tel: +1 514 813 5754  
[canada@tapflo.com](mailto:canada@tapflo.com)

### Croatia

Tapflo GmbH  
Tel: +385 91 4884 666  
[sales@tapflo.hr](mailto:sales@tapflo.hr)

### Czech Republic

Tapflo s.r.o.  
Tel: +420 513 033 924  
[tapflo@tapflo.cz](mailto:tapflo@tapflo.cz)

### China

Tapflo (Wuxi)  
Tel: +86 510 8241 7072  
[sales@tapflo.cn](mailto:sales@tapflo.cn)

### Denmark

Tapflo Danmark  
Tel: +45 36 454600  
[info@tapflo.dk](mailto:info@tapflo.dk)

### France

Tapflo France  
Tel: +33 1 34 78 82 40  
[info@tapflo.fr](mailto:info@tapflo.fr)

### India

Tapflo Fluid Handling India Pvt Ltd  
Tel: +91 20 65000215  
[ac@tapflo.in](mailto:ac@tapflo.in)

### Ireland

Tapflo Ireland Ltd  
Tel: +353 1 2011911  
[info@tapflo.ie](mailto:info@tapflo.ie)

### Italy

Tapflo Italia  
Tel: +39 0362307698  
[info@tapfloitalia.com](mailto:info@tapfloitalia.com)

### Japan

Tapflo Japan K.K.  
Tel: +81-3-6240-3510  
[tapflojp@tapflo.co.jp](mailto:tapflojp@tapflo.co.jp)

### Kazakhstan

Tapflo Kazakhstan  
Tel: +7 727 3278347  
[sales@tapflo.kz](mailto:sales@tapflo.kz)

### Netherlands

Tapflo Benelux B.V.  
Tel: +31 (0)85 00 743 00  
[info@tapflo.nl](mailto:info@tapflo.nl)

### Poland

Tapflo Sp. z o.o.  
Tel: +48 58 530 42 12  
[info@tapflo.pl](mailto:info@tapflo.pl)

### Romania

S.C. Tapflo Rom. S.r.l.  
Tel: +40 21 3451255  
[sales@tapflo.ro](mailto:sales@tapflo.ro)

### Russia

Tapflo Company  
Tel: +7 495 232 18 28  
[sales@tapflo.com.ru](mailto:sales@tapflo.com.ru)

### Serbia

Tapflo d.o.o.  
Tel: +381 21 44 58 08  
[sales@tapflo.rs](mailto:sales@tapflo.rs)

### Slovakia

Tapflo s.r.o.  
Tel: +421 911 137 883  
[tapflo@tapflo.sk](mailto:tapflo@tapflo.sk)

### Slovenia

Tapflo GmbH  
Tel: +386 68 613 474  
[sales@tapflo.hr](mailto:sales@tapflo.hr)

### Spain

Tapflo Iberica  
Tel: +34 91 8093182  
[avives@tapfloiberica.es](mailto:avives@tapfloiberica.es)

### South Africa

Tapflo (Pty) Ltd  
Tel: +27 31 701 5255  
[sales@tapflo.co.za](mailto:sales@tapflo.co.za)

### Turkey

Tapflo Makina Ltd  
Tel: +90 216 467 33 11  
[sales@tapflo.com.tr](mailto:sales@tapflo.com.tr)

### Ukraine

TOB Tapflo  
Tel: +380 44 222 68 44  
[sales@tapflo.ua](mailto:sales@tapflo.ua)

### Uzbekistan

Tapflo Uzbekistan  
Tel: +998 712370940  
[sales@tapflo.uz](mailto:sales@tapflo.uz)

### United Kingdom

Tapflo (UK) Ltd  
Tel: +44 2380 252325  
[sales@tapflo pumps.co.uk](mailto:sales@tapflo pumps.co.uk)