

TECHNICAL DESCRIPTION



The HTN is a single stage peripheral turbine pump, magnetic driven, in a close-coupled execution, suitable for low flow and high pressure applications.

The pump casing is non metallic (PP or PVDF), machined from full material, in order to grant high mechanical resistance.

Further components are non metallic (PP or PVDF), injection moulded and provide excellent corrosion resistance.

The magnets are in Neodymium-Iron-Boron, ensuring coupling efficiency even when processing heavy liquids. Graphite and Ceramic bushings offer a technically advanced design while maintaining competitiveness.

Silicon carbide bushings allow the use of these pumps even with "difficult" and aggressive liquids.

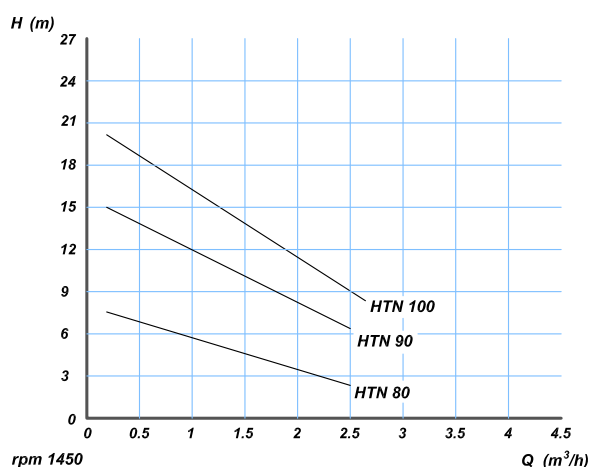
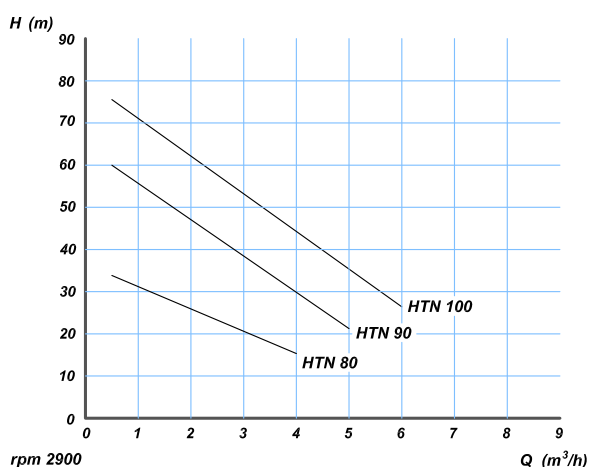
The power transmission is delivered through a magnetic coupling without any mechanical connection between impeller and drive shaft.

This system ensures zero leakage, operator safety and eliminates emissions of odorous and dangerous liquids to the atmosphere. The close coupled execution makes the HTN an extremely compact, silent and safe pump that can be safely used even by unexperienced operators.

They can handle clean liquids, containing up to 20% entrained gases and can be ideal for tank stripping where vortexing or cavitation can occur or whenever the need of high discharge pressures combined with low flow-rates would not recommend the use of a standard centrifugal pump.

The HTN pumps are ideal choice for OEM applications and offer a perfect alternative to standard centrifugal pumps.

HYDRAULIC PERFORMANCES



C.D.R. POMPE S.p.A. Via P. Togliatti 26/A 20030- Senago (MI)

Tel. :+39 02 9901941 Fax: +39 02 9980606 Web:www.cdrpompe.com e-mail: exportsales@cdrpompe.com

This document is exclusive property of C.D.R. Pompe S.p.A. The same cannot be transferred to any third part without prior C.D.R. Pompe S.p.A. Improvements and/or changes to this document may be made by C.D.R. Pompe S.p.A. at any time without notice

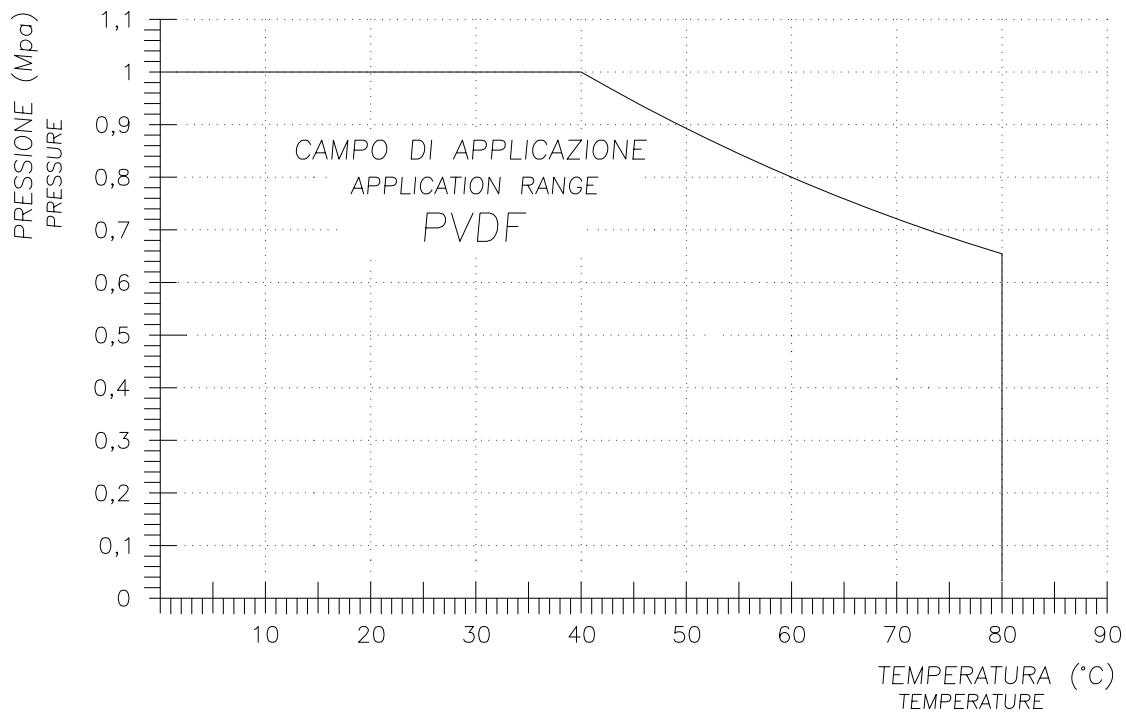
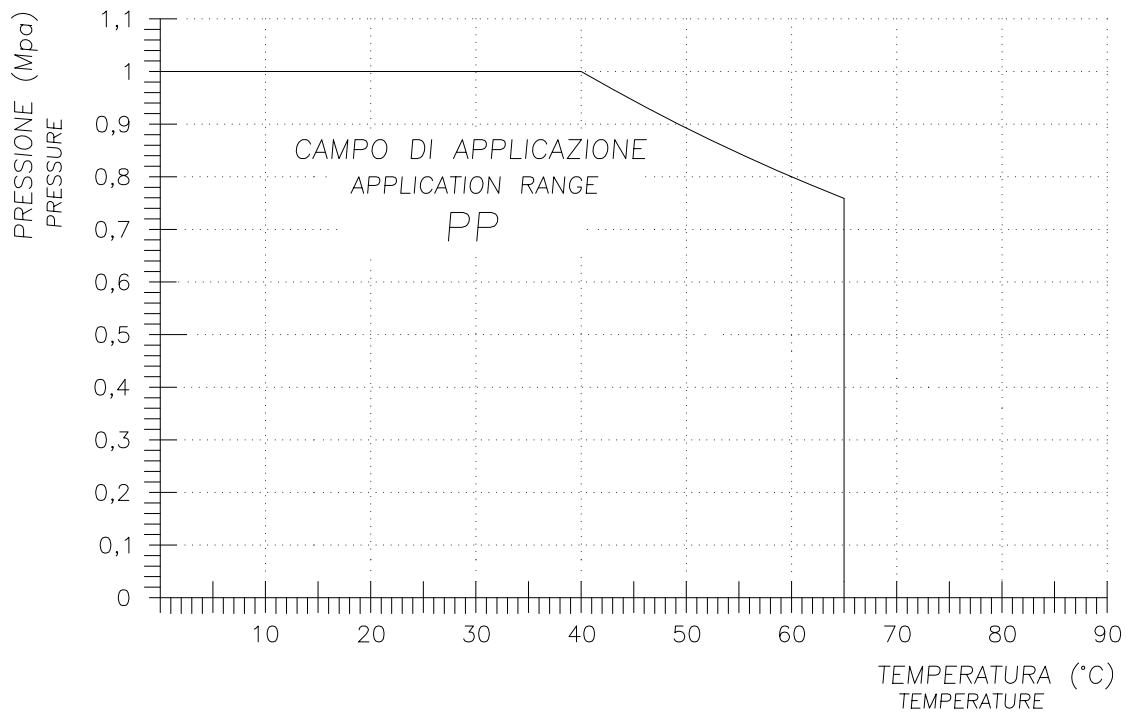
Features and applications	Description
<i>Pump type</i>	Close coupled peripheral pump with B5 motor frame
<i>Materials</i>	PP / PVDF AL₂O₃ / GRAPHITE LF / SiC FPM / EPDM / FFKM
<i>Handled liquids</i>	Corrosive, inflammable and toxic liquids
<i>Hydraulic performances</i>	Q max = 6 m³/h -> H max = 75 mcl
<i>Drives</i>	0,75 Kw (gr. 80) -> 5,5 Kw (gr. 132)
<i>Temperature range</i>	-20°C -> +80°C
<i>Max. pressure</i>	10bar (20°C) - 6bar (80°C)
<i>Viscosity</i>	200 cSt max
<i>Solids</i>	No solids are allowed

C.D.R. POMPE S.p.A. Via P. Togliatti 26/A 20030- Senago (MI)

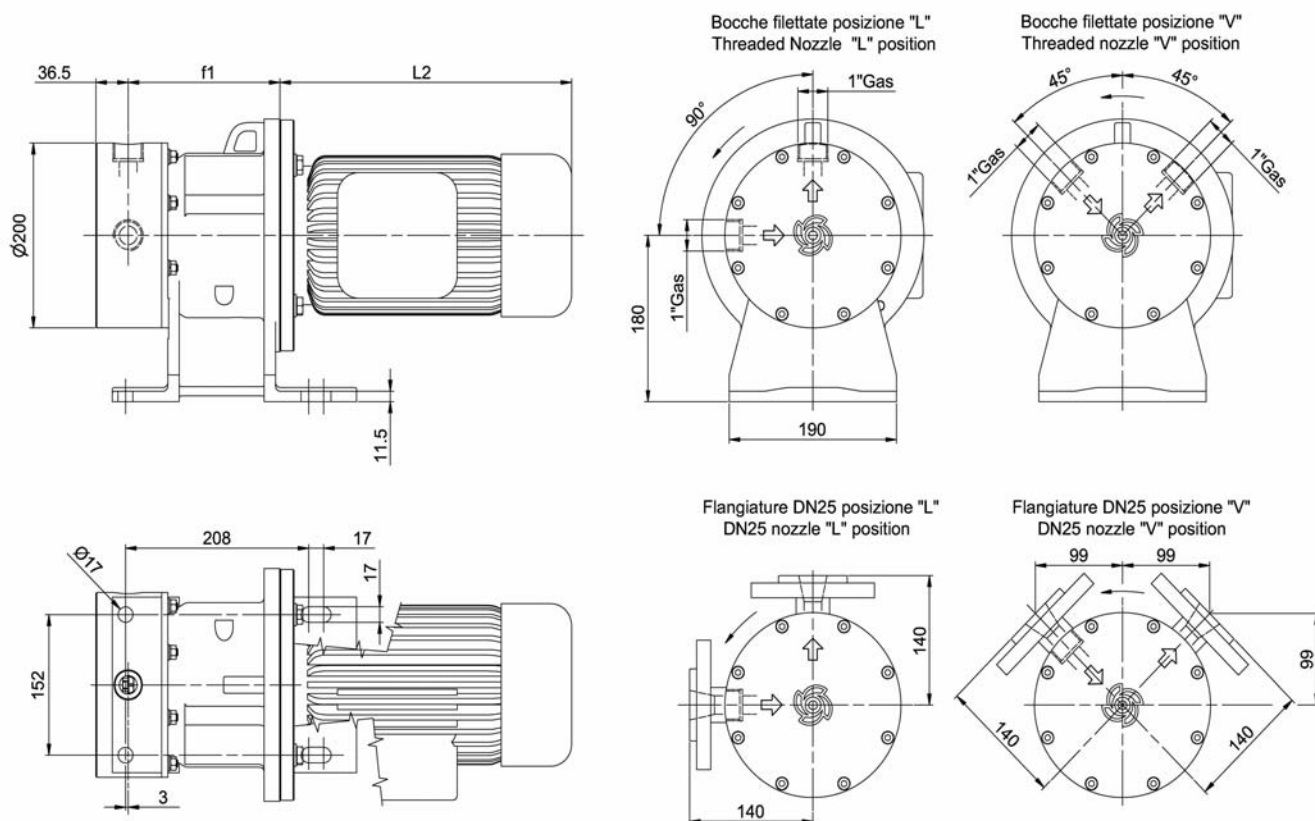
Tel. :+39 02 9901941 Fax: +39 02 9980606 Web:www.cdrpompe.com e-mail: exportsales@cdrpompe.com

This document is exclusive property of C.D.R. Pompe S.p.A. The same cannot be transferred to any third part without prior C.D.R. Pompe S.p.A.

Improvements and/or changes to this document may be made by C.D.R. Pompe S.p.A. at any time without notice



OVERALL DIMENSIONS



Tipo pompa Pump model	Grandezza motore – Forma Motor size – Frame		Ingombro motore Overall dimensions			
			TEFC	ADPE		
		f1	L2	L2		
HTN 80	Mot.80 – B5	173	Mot.80	233	Mot.80	290
	Mot.90 – B5	173	Mot.90	256	Mot.90	336
HTN 90	Mot.100 – B5	173	Mot.100	314	Mot.100	366
	Mot.112 – B5	173	Mot.112	323	Mot.112	415
HTN 100	Mot.132 – B5	191	Mot.132	400	Mot.132	503

C.D.R. POMPE S.p.A. Via P. Togliatti 26/A 20030- Senago (MI)

Tel. :+39 02 9901941 Fax: +39 02 9980606 Web:www.cdrpompe.com e-mail: exportsales@cdrpompe.com

This document is exclusive property of C.D.R. Pompe S.p.A. The same cannot be transferred to any third part without prior C.D.R. Pompe S.p.A.

Improvements and/or changes to this document may be made by C.D.R. Pompe S.p.A. at any time without notice

PART LIST

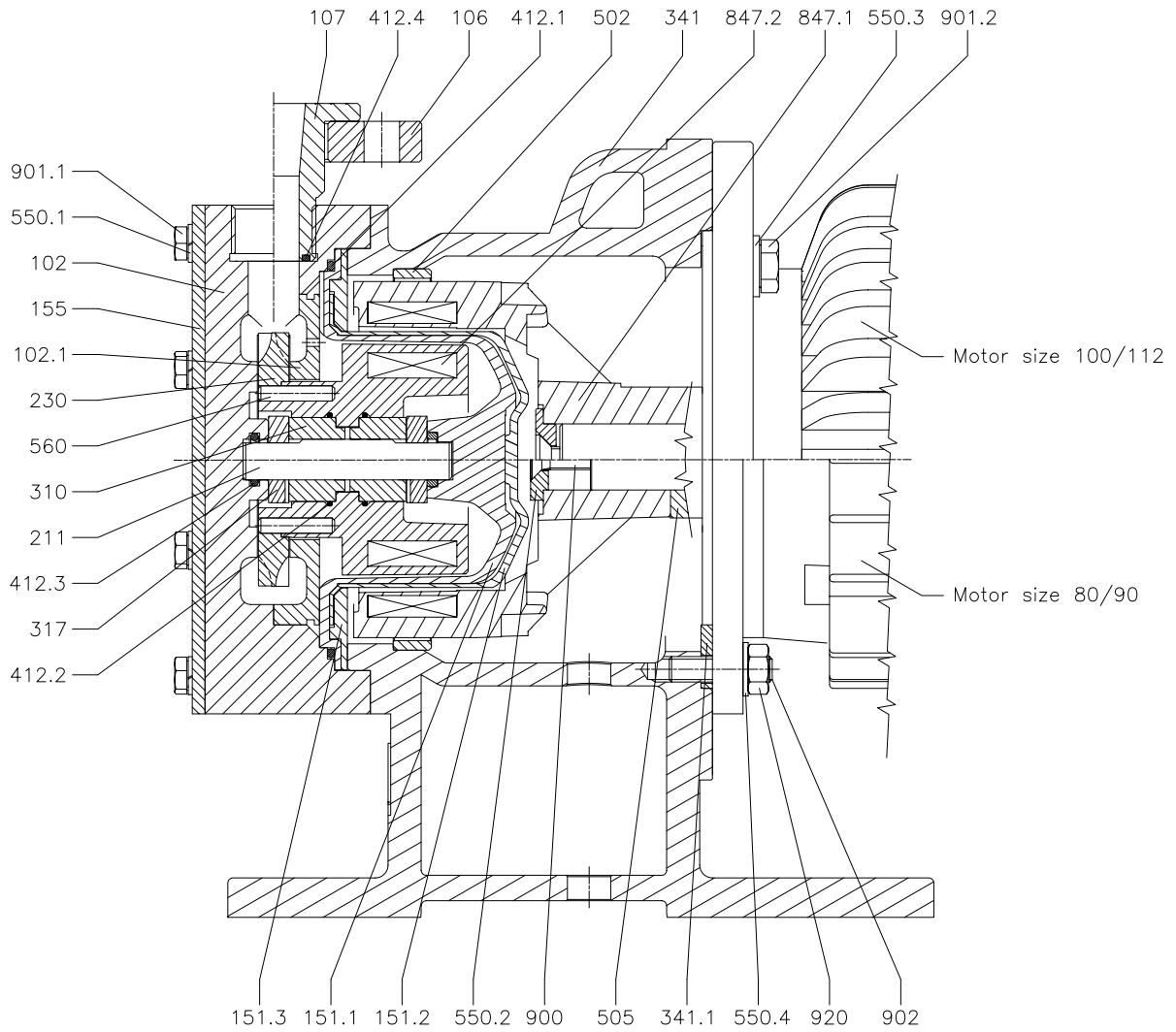
RefDin	Qty	Description	Materials
102	1	Pump casing	PP / PVDF
102.1	1	Rear pump casing	PP / PVDF
106	2	Flange (Flange casing option)	PP
107	2	Support flange (Flange casing option)	PP / PVDF
151.1	1	Isolation shell	ETFE
151.2	1	Isolation shell cover	PC-FC
151.3	1	Isolation shell flange	AISI 304
155	1	Frame	AISI 304
211	1	Shaft	AL2O3 / SiC
230	1	Impeller	PVDF
310	2	Rotating bushing	Graphite LF / SiC / AL2O3+PTFE
317	2	Axial thrust shoe	AL2O3 / SiC
341	1	Lantern	Nodular cast iron
341.1	1	Support flange (Motor size 80/90 application)	Carbon steel
412.1	1	Gasket	FPM / EPDM / FFKM
412.2	2	Gasket	PTFE
412.3	1	Gasket	FPM / EPDM / FFKM
412.4	2	Gasket (Flange casing option)	FPM / EPDM / FFKM
502	1	Safety ring	Bronze
505	1	Spacer (Motor size 80/90 application)	AISI 304
550,1	8	Washer	AISI 304
550.2	1	Washer	AISI 304
550.3	4	Washer (Motor size 100/112 application)	AISI 304
550.4	1	Washer (Motor size 80/90 application)	AISI 304
560	8	Pin	PVDF
847.1	1	External magnet	PPS+NdFeB
847.2	1	Internal magnet	ETFE+NdFeB
900	1	Screw	AISI 304
901,1	8	Screw	AISI 304
901,2	4	Screw (Motor size 100/112 application)	AISI 304
902	4	Stud (Motor size 80/90 application)	AISI 304
920	4	Nut (Motor size 80/90 application)	AISI 304

C.D.R. POMPE S.p.A. Via P. Togliatti 26/A 20030- Senago (MI)

Tel. :+39 02 9901941 Fax: +39 02 9980606 Web:www.cdrpompe.com e-mail: exportsales@cdrpompe.com

This document is exclusive property of C.D.R. Pompe S.p.A. The same cannot be transferred to any third part without prior C.D.R. Pompe S.p.A.

Improvements and/or changes to this document may be made by C.D.R. Pompe S.p.A. at any time without notice



C.D.R. POMPE S.p.A. Via P. Togliatti 26/A 20030- Senago (MI)

Tel. :+39 02 9901941 Fax: +39 02 9980606 Web:www.cdrpompe.com e-mail: exportsales@cdrpompe.com

This document is exclusive property of C.D.R. Pompe S.p.A. The same cannot be transferred to any third part without prior C.D.R. Pompe S.p.A. Improvements and/or changes to this document may be made by C.D.R. Pompe S.p.A. at any time without notice